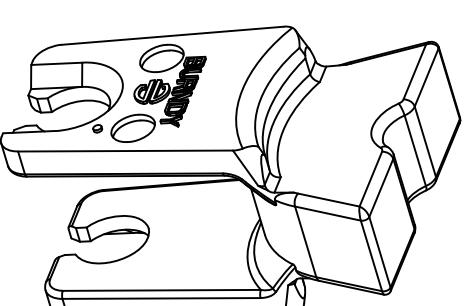
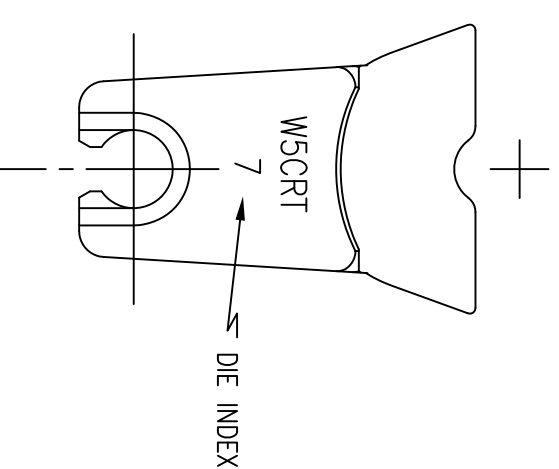
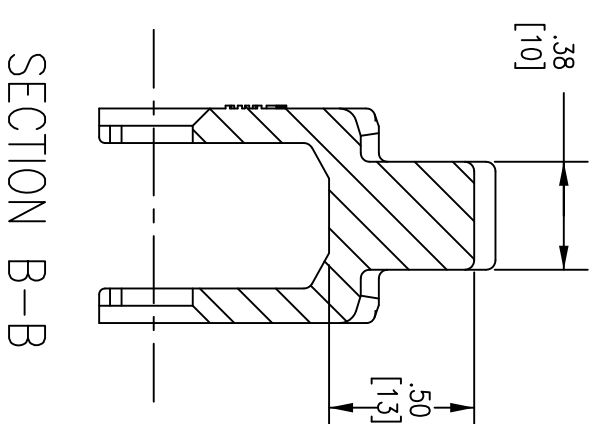
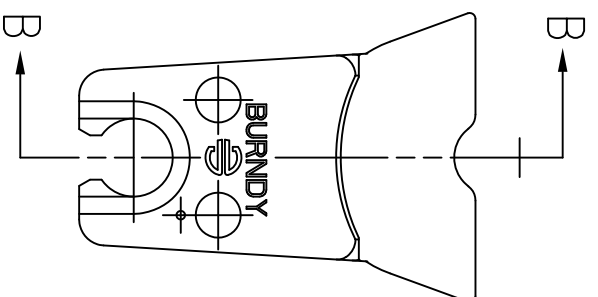
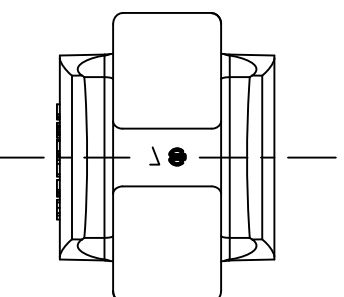


CATALOG NUMBER	DESCRIPTION
HW5CRT	5 AWG, 7 INDEX DIE SET



- NOTES:
1. KIT CONTAINS ONE DIE SET.
 2. MATERIAL : STAINLESS STEEL.
 3. FITS HPA1600U AND HMD7 COMPRESSION TOOLS.
 4. SPECIFICATIONS SUBJECT TO CHANGE WITHOUT NOTICE.

REV.	ECN	DATE	DESCRIPTION	CHG BY	APPD BY
1	18024	12/10/12	INITIAL RELEASE	MMA	

Created on AUTOCAD		<p>DIMENSIONING AND TOLERANCE PER ANSI Y14.5M-1982 UNLESS OTHERWISE SPECIFIED, DIMENSIONS ARE IN INCHES (MM). TOLERANCES .XX = ±.01 (.25) .XXX = ±.005 (.127) .XXXX = ±.0025 (.0635) ANGLE TOL ±1°</p>	
<p>PROJECT REFERENCE: 2011-041</p>		<p>MATERIAL: SEE NOTES</p>	
<p>DRAWN BY: C. GRIBBLE 10/9/12</p>		<p>IN ACCEPTING OUR DRAWINGS, BLUPRINTS, OR SUPPORTING DOCUMENTATION FOR QUOTATION OR OTHER PURPOSES, YOU AGREE NOT TO DISCLOSE TO OTHERS THE IDEAS, INFORMATION, OR DESIGNS SHOWN HEREIN, AND THAT YOU WILL MAKE NO USE OF SAME WITHOUT PERMISSION</p>	
<p>CHECKED BY:</p>		<p>APPROVED BY:</p>	
<p>APPROVED BY:</p>		<p>APPROVED BY:</p>	
<p>SIZE: C</p>		<p>TITLE: HUBBELL Hubbell Premise Wiring HUBBELL INCORPORATED (Delaware) 23 CLARA DRIVE, SUITE 103 MYSTIC, CT 06355</p>	
<p>SCALE: N/A</p>		<p>DIE SET, 5 AWG, 7 INDEX W DIE SET FAMILY</p>	
<p>DRAWING NO. HW514175C</p>		<p>REV. 1</p>	
<p>SHEET 1 OF 1</p>		<p>REV.</p>	